

17734

CONDUIT MOUNTING BRACKET FOR CURVED TILE



A DIVISION OF QUICKSCREWS INTERNATIONAL CORP

TABLE OF CONTENTS

3

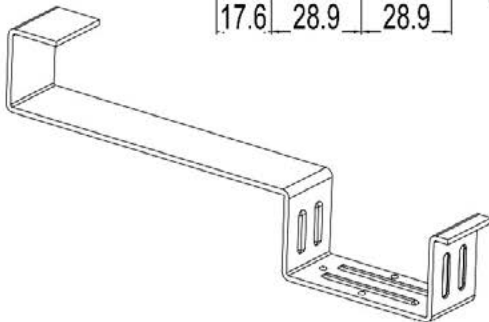
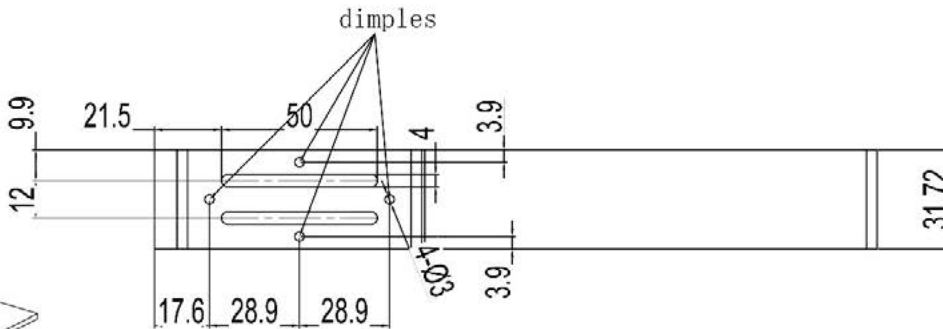
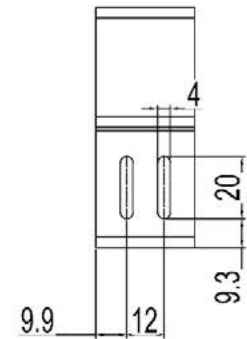
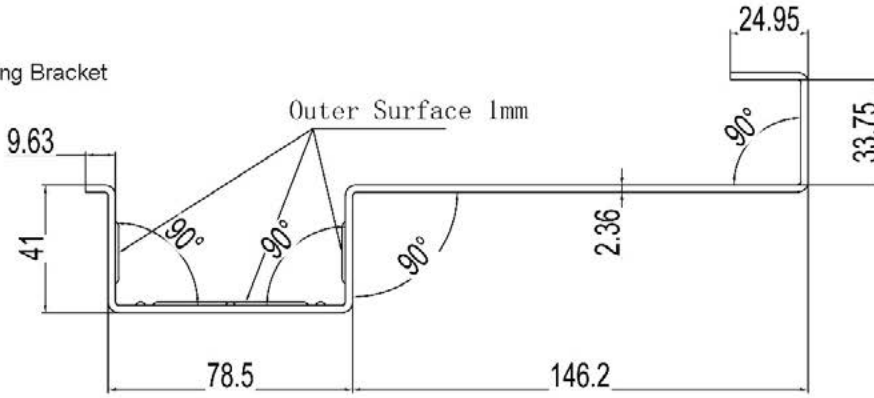
SPEC SHEET
QTY & MEASUREMENT INFORMATION

SPEC SHEET

Part #	Box Quantity	Screw Size
17734	60 Brackets	N/A



QuickBOLT
PN# 17734
Conduit Mounting Bracket



Tolerance Range														
Tolerance	mm													
6-30	±0.1	<table border="1"> <tr> <td>Design</td> <td>Scale</td> <td>Quantity</td> </tr> <tr> <td>Drawing</td> <td>Material</td> <td>AL5052</td> </tr> <tr> <td>Confirm</td> <td>Drawing No.</td> <td>17734</td> </tr> <tr> <td>Verify</td> <td>Finish</td> <td>Natural</td> </tr> </table>	Design	Scale	Quantity	Drawing	Material	AL5052	Confirm	Drawing No.	17734	Verify	Finish	Natural
Design	Scale		Quantity											
Drawing	Material		AL5052											
Confirm	Drawing No.		17734											
Verify	Finish	Natural												
31-120	±0.2													
121-400	±0.3													
401-1000	±0.4													

