

17548

17549, 17550, 17551, 17612, 17613

STONE COATED STEEL ROOF HOOK FOR SIDE MOUNT RAILS; ADJUSTABLE



A DIVISION OF QUICKSCREWS INTERNATIONAL CORP

TABLE OF CONTENTS

3

SPEC SHEET

QTY & MEASUREMENT INFORMATION

4

UL CERTIFICATION

PROOF OF UL CERTIFICATION

6

INSTALLATION INSTRUCTIONS

STEP-BY-STEP-INSTALLATION GUIDE

7

BUILDING CODE LETTER

REGARDING STAMP DATES

8

ENGINEERING REPORT

UPLIFT & LATERAL LOAD TEST

12

COMPATIBILITY LETTER

FOR WESTLAKE / UNIFIED STEEL™

13

MIAMI-DADE NOA

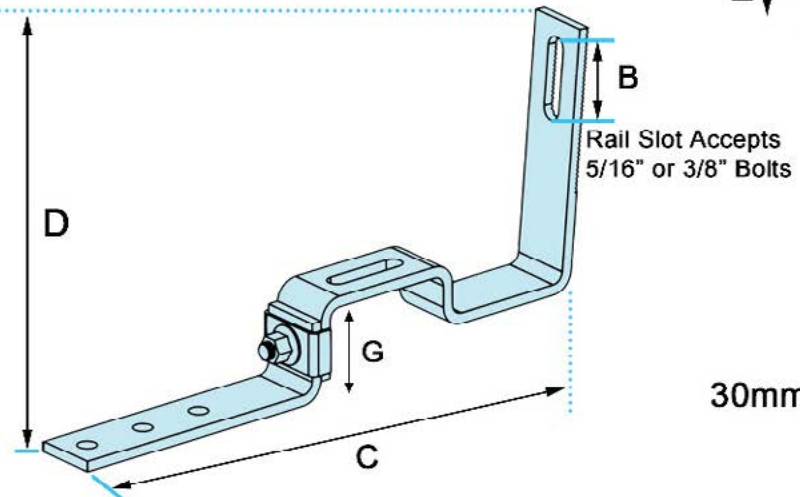
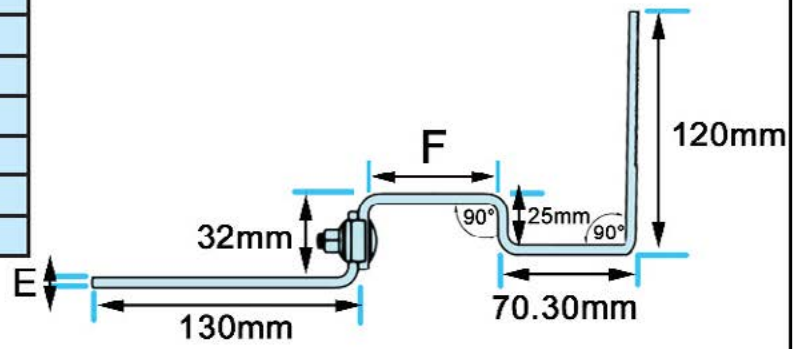
MIAMI-DADE FLORIDA APPROVAL

SPEC SHEET

Part #	Box Quantity	Screw Size
17548	20 Hooks	N/A
17549	1 Hook	N/A
17550	20 Hooks; 40 Screws	#14 x 3"
17551	1 Hook; 2 Screws	#14 x 3"
17612	20 Hooks; 40 Screws	5/16" x 3"
17613	1 Hook; 2 Screws	5/16" x 3"



Letter	Description	Size/Length
A	Mounting Screw Holes	9mm
B	Rail Slot Size	10mm x 38mm
C	Length of Roof Hook	268.00mm
D	Bottom End to Top End	127mm - 136mm
E	Thickness	5mm
F	Batten Bridge	63.50mm
G	Adjustability Range	32mm - 48mm



CERTIFICATE OF COMPLIANCE

Certificate Number E493748
Report Reference E493748-20170817
Date 2023-April-07

Issued to: QuickBOLT a Division of Quickscrews International Corp
5830 Las Positas Rd
Livermore CA, 94551 US

This is to certify that representative samples of MOUNTING SYSTEMS, MOUNTING DEVICES, CLAMPING DEVICES AND GROUND LUGS FOR USE WITH PHOTOVOLTAIC MODULES AND PANELS - COMPONENT
See Addendum Page for Product Designation(s).

Have been evaluated by UL in accordance with the component requirements in the Standard(s) indicated on this Certificate. UL Recognized components are incomplete in certain constructional features or restricted in performance capabilities and are intended for installation in complete equipment submitted for investigation to UL LLC.

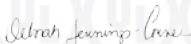
Standard(s) for Safety: UL 2703, Mounting systems, mounting devices, clamping/retention devices, and ground lugs for use with flat-plate photovoltaic modules and panels-.

Additional Information: See the UL Online Certifications Directory at <https://iq.ulprospector.com> for additional information

This Certificate of Compliance indicates that representative samples of the product described in the certification report have met the requirements for UL certification. It does not provide authorization to apply the UL Recognized Component Mark. Only the Authorization Page that references the Follow-Up Services Procedure for ongoing surveillance provides authorization to apply the UL Mark.

Only those products bearing the UL Recognized Component Mark should be considered as being UL Certified and covered under UL's Follow-Up Services.

Look for the UL Recognized Component Mark on the product.



Deborah Jennings-Conner, VP Regulatory Services

UL LLC

Any information and documentation involving UL Mark services are provided on behalf of UL LLC (UL) or any authorized licensee of UL. For questions, please contact a local UL Customer Service Representative at <http://ul.com/about/locations/>



CERTIFICATE OF COMPLIANCE

Certificate Number E493748
Report Reference E493748-20170817
Date 2023-April-07

This is to certify that representative samples of the product as specified on this certificate were tested according to the current UL requirements

Models:

USR – Component, Roof Mounting Hook Units, Models 15891 15893 15987 16000 16317 16318 16319 16320 16988 16990 16991 16993 17508 17509 17510 17511 17512 17513 17514 17515 17516 17517 17518 17519 17520 17521 17522 17523 17524 17525 17526 17527 17536 17537 17538 17539 17540 17541 17542 17543 17544 17545 17546 17547 17548 17549 17550 17551 17552 17553 17554 17555 17556 17558 17559 17560 17566 17567 17568 17569 17570 17571 17572 17573 17574 17575 17576 17577 17578 17579 17580 17585 17586 17587 17588 17589 17592 17596 17597 17598 17599 17600 17601 17606 17607 17608 17609 17610 17611 17612 17613 17614 17615 17616 17617 17618 17620 17621 17622 17623 17624 17625 17626 17627 17628 17629 17630 17631 17632 17633 17636 17637 17638 17639 17640 17641 17642 17643 17646 17647 17648 17649 17650 17651 17652 17653 17654 17659 17664 17667 17669 17670 17671 17672 17673 17678 17679 17680 17681 17686 17687 17688 17689 17700 17701 17702 17703 17704 17705 17706 17707 17708 17709 17710 17711 17712 17717 17718 17750 17751 17752 17753 17759 15891-10 15891BLK-10 15987A 15987B 17667SS 17672SS 17680SS 17688SS 17713SS 17720 17721SS 17723 17724SS 17726 17727SS 17729 17730SS 15894SS 15891SS 15987BSS 17660 17661 17662 17663 17747 17748

Deborah Jennings-Conner

Deborah Jennings-Conner, VP Regulatory Services

UL LLC

Any information and documentation involving UL Mark services are provided on behalf of UL LLC (UL) or any authorized licensee of UL. For questions, please contact a local UL Customer Service Representative at <http://ul.com/aboutul/locations/>



INSTALL INSTRUCTIONS



RECOMMENDED MATERIALS

- Rafter locator
- Chalk or crayon
- 3/16" Drill Bit
- Sealant

INSTALLATION INSTRUCTIONS

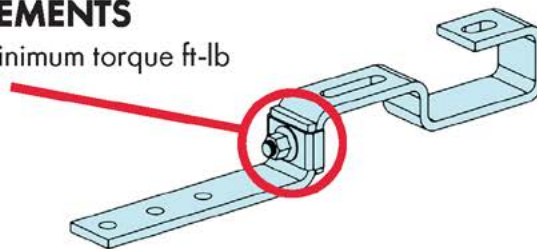
1. Remove the Stone Coated Steel Sheets from the area in which you will be installing.
2. Locate and mark the rafters.
3. Place the Hook and predrill two holes with the 3/16" Drill Bit.
4. Remove the Hook, clear the debris, and fill the predrilled holes with sealant.
5. Place and mount the Hook using the Solar Screws.
6. Place the Stone Coated Steel Sheets back over the installation area.

ADJUSTABLE HOOKS

- Adjust the Hook as need be either before or after mounting the Hook.

TORQUE REQUIREMENTS

M8 Bolt requires 15 minimum torque ft-lb



IF USING GALVA FLASHING

1. Make a cut in the paper
2. Apply sealant to the underside of the Galva Flashing
3. Slide the Flashing underneath the paper or nail down edges
4. Cover the edges of the Galva Flashing with sealant



PN 17614

BUILDING CODE LETTER



March 22nd, 2023

To whom this may concern,

QuickBOLT is committed to excellence. The parts tested are durable goods, meaning the material composition and detailed specifications of the parts do not change. Therefore, all stamps are current. Any part tested will have the same results no matter what year the tests are performed. All testing and reports are current and valid with 2022 CBC standards.

SolarRoofHook is the previous name of QuickBOLT. Any test result referencing SolarRoofHook is referring to a QuickBOLT product.

All our parts were tested by a third-party test facility, in possession of a current engineering license for the state where the tests were performed for the following.

1. Uplift test
2. Downward load test
3. Lateral Test – Asphalt Mounts, and Metal Mounts only
4. ASTM E2440 and ASTM E330 Waterproof Tests - QuickBOLT only

The following is an excerpt from:

CALIFORNIA BOARD FOR PROFESSIONAL ENGINEERS AND LAND SURVEYORS
guide to Engineering & Land Surveying for City and County Officials
Page 12, Line 27

27. If the license has expired between the time the engineering documents were prepared and the time when the local agency's review is performed, do the documents need to be re-sealed by a licensee with a current license? (B&P Code §§ 6733, 6735, 6735.3, 6735.4)

As long as the license was current at the time the engineering documents were prepared, the documents do not need to be re-sealed prior to review by the local agency. However, any changes (updates or modifications) to the documents that are made following the review by the local agency would have to be prepared by a licensed engineer with a current license and those changes would have to be signed and sealed.

We trust the information provided will resolve any request for the test reports submitted to have a stamp from the current year.

Regards,

Rick Gentry
Executive Vice President

ENGINEERING REPORT



APPLIED MATERIALS & ENGINEERING, INC.

980 41st Street
Oakland, CA 94608

Tel: (510) 420-8190
FAX: (510) 420-8186
e-mail: info@appmateng.com

May 19, 2014

Mr. Rick Gentry
QUICKSCREWS INTERNATIONAL
5830 Las Positas Road
Livermore, CA 94551

Project Number 114270C

Subject: Stone Coat Tile Adjustable Adjustable roof hook Laboratory Load Testing
Part #'s SCA90, SCA90-1, SCA90S14, SCA90S14-1

Part #'s correspond to 17548, 17549,
17550, 17551, 17612, 17613

Dear Mr. Gentry:

As requested, Applied Materials & Engineering, Inc. (AME) has completed load-testing the Stone Coat tile adjustable adjustable roof hook (see Appendix A, Figure 1). The purpose of our testing was to evaluate the tensile and compressive load capacity of the Stone Coat tile adjustable roof hook attached to a 2"x4" Douglas Fir rafter and 2"x2" header using #14-7x3" Quickscrew (HWH QS T17 303 S/S, Part #'s SPIIS14x420, SPIIS14x424, SPIIS14x340, SPIIS14X450).

SAMPLE DESCRIPTION

Mockup samples were delivered to our laboratory on May 1, 2014. Mockup configuration consisted of three 12" long rafters at 7" o.c., screwed to 1/2" OSB sheathing. The Stone Coat tile adjustable roof hook is attached through the OSB into the rafter with one fastener and into the header with one fastener.

TEST PROCEDURES & RESULTS

1. Compressive Load Test

A total of three tests were conducted for compressive load capacity on May 12, 2014 using a United Universal testing machine. Samples were rigidly attached to the testing machine and a compressive load was applied to the hook. The samples were loaded in compression at a constant rate of axial deformation of 0.09 in. /min. without shock until the bracket was bent to the maximum allowed by the test configuration; maximum deflection at maximum load was recorded. Detailed results are provided in Table I. Test setup and typical bracket bending at maximum load are provided in Appendix A. Based on the above testing, the average maximum compressive load of the stone coat tile adjustable roof hook attached to a 2"x2" Douglas Fir header using #14 Quickscrew was determined to be 303 lbf. Deflection at maximum load was measured as 0.7 inches.

2. Tensile Load Test

A total of three tests were conducted for tensile load capacity on May 12, 2014 using a United Universal testing machine. Samples were rigidly attached to the testing machine and a tensile load was applied to the hook.

Mr. Rick Gentry
QUICKSCREWS INTERNATIONAL
Stone Coat Tile Adjustable Adjustable roof hook Testing SCA90
May 19, 2014

Project Number 114270C

The samples were loaded in tension at a constant rate of axial deformation of 0.09 in. /min. without shock until the bracket was bent and the bolt began to pull-out; maximum deflection at maximum load was recorded. Detailed results are provided in Table II.

Test setup and typical bracket bending at maximum load are provided in Appendix A. Based on the above testing, the average maximum tensile load of the stone coat tile hook attached to a 2"x2" Douglas Fir header using #14 Quickscrew was determined to be 470 lbf. Deflection at maximum load was measured as 3.2 inches.

3. Specific Gravity of Wood

The specific gravity and moisture content of the rafter and header member were tested in accordance with ASTM D2395, Method A (oven-dry) and were determined to be 0.363 and 9.2% and 0.324 and 7.2%, respectively.

If you have any questions regarding the above, please do not hesitate to call the undersigned.

Respectfully Submitted,

APPLIED MATERIALS & ENGINEERING, INC.


Mohammed Faiyaz
Laboratory Manager

Reviewed By:

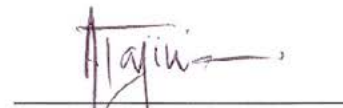

Armen Tajirian, Ph.D., P.E.
Principal



TABLE I
COMPRESSIVE LOAD TEST RESULTS
STONE COAT TILE ADJUSTABLE ROOF HOOK
PROJECT NUMBER 114270C

TEST NUMBER	MAXIMUM COMPRESSIVE LOAD (lbf)	MAXIMUM DEFLECTION (in.)	FAILURE MODE
1	311	0.8	Bent Hook
2	288	0.7	Bent Hook
3	311	0.6	Bent Hook
AVERAGE	303	0.7	..

TABLE II
TENSILE (UPLIFT) LOAD TEST RESULTS
STONE COAT TILE ADJUSTABLE ROOF HOOK
PROJECT NUMBER 114270C

TEST NUMBER	MAXIMUM TENSILE LOAD (lbf)	MAXIMUM DEFLECTION (in.)	FAILURE MODE
4	480	3.5	Bolt Pull-Out from 2"x2" Member
5	480	3.4	Bolt Pull-Out from 2"x2" Member
6	450	2.7	Bolt Pull-Out from 2"x2" Member
AVERAGE	470	3.2	..

COMPATIBILITY LETTER



2801 Post Oak, Suite 600
Houston, TX 77056

T. 800.669.8453
WestlakeRoyalRoofing.com

August 17, 2022

To Our Valued Customers:

In regard to the Solar Roof Hooks that are manufactured by QuickBOLT, the product was developed and manufactured to meet the design needs and compatibility with our *Unified Steel™ stone coated roofing system and as such, should be deemed to be fully useable in the designated fashion prescribed by Unified Steel™, Westlake Royal Roofing Solutions and QuickBOLT.

Sincerely,

Rob Anderson

Robin Anderson
Technical & Strategy Development Manager

**Compatible with the following Unified Steel™ panel profiles – PINE-CREST Shake, COTTAGE Shingle, PACIFIC Tile & BARREL-VAULT Tile*





DEPARTMENT OF REGULATORY AND ECONOMIC RESOURCES (RER)
BOARD AND CODE ADMINISTRATION DIVISION
NOTICE OF ACCEPTANCE (NOA)

MIAMI-DADE COUNTY
PRODUCT CONTROL SECTION
11805 SW 26 Street, Room 208
Miami, Florida 33175-2474
T (786) 315-2590 F (786) 315-2599
www.miamidade.gov/economy

Quickscrews Int'l Corp.
5830 Las Positas Rd.
Livermore, CA 94551

SCOPE:

This NOA is being issued under the applicable rules and regulations governing the use of construction materials. The documentation submitted has been reviewed and accepted by Miami-Dade County RER-Product Control Section to be used in Miami-Dade County and other areas where allowed by the Authority Having Jurisdiction (AHJ).

This NOA shall not be valid after the expiration date stated below. The Miami-Dade County Product Control Section (In Miami-Dade County) and/ or the AHJ (in areas other than Miami-Dade County) reserve the right to have this product or material tested for quality assurance purposes. If this product or material fails to perform in the accepted manner, the manufacturer will incur the expense of such testing and the AHJ may immediately revoke, modify, or suspend the use of such product or material within their jurisdiction. RER reserves the right to revoke this acceptance if it is determined by Miami-Dade County Product Control Section that this product or material fails to meet the requirements of the applicable building code.

This product is approved as described herein and has been designed to comply with the Florida Building Code, including the High Velocity Hurricane Zone.

DESCRIPTION: PN 17612 Stainless Steel Solar Roof Hook for Stone Coated Steel Panels

APPROVAL DOCUMENT: Drawing titled "PN 17612 Stainless Steel Solar Roof Hook for Stone Coated Steel Panels", sheets 1 through 2 of 2, prepared by QuikBolt a div of Quickscrews Int'l Corp., dated on 02/18/2025, signed and sealed by Scott Wolters, P.E., bearing the Miami-Dade County Product Control approval stamp with the Notice of Acceptance number and approval date by the Miami-Dade County Product Control Section.

MISSILE IMPACT RATING: None

LABELING: Each box shall bear a permanent label with the manufacturer's name or logo, city, state and following statement: "Miami-Dade County Product Control Approved or MDCPCA", unless otherwise noted herein.

RENEWAL of this NOA shall be considered after a renewal application has been filed and there has been no change in the applicable building code negatively affecting the performance of this product.

TERMINATION of this NOA will occur after the expiration date or if there has been a revision or change in the materials, use, and/or manufacture of the product or process. Misuse of this NOA as an endorsement of any product, for sales, advertising or any other purposes shall automatically terminate this NOA. Failure to comply with any section of this NOA shall be cause for termination and removal of NOA.

ADVERTISEMENT: The NOA number preceded by the words Miami-Dade County, Florida, and followed by the expiration date may be displayed in advertising literature. If any portion of the NOA is displayed, then it shall be done in its entirety.

INSPECTION: A copy of this entire NOA shall be provided to the user by the manufacturer or its distributors and shall be available for inspection at the job site at the request of the Building Official.

This NOA consists of this page 1, evidence page E-1, as well as the approval document mentioned above. The submitted documentation was reviewed by **Carlos M. Utrera, P.E.**

DRAFT

NOA No: 25-0102.04
Expiration Date: March 13, 2030
Approval Date:
Page 1

NOTICE OF ACCEPTANCE: EVIDENCE SUBMITTED

A. DRAWINGS

1. Drawing titled "PN 17612 Stainless Steel Solar Roof Hook for Stone Coated Steel Panels", sheets 1 through 2 of 2, prepared by QuikBolt a div of Quickscrews Int'l Corp., dated on 02/18/2025, signed and sealed by Scott Wolters, P.E.

B. TESTS

1. Test report on Uplift and Shear Allowable Loads of the Series 17612 Stainless Steel Solar Mount per ASTM D7147-11, prepared by QAI Laboratories, Test Report No. **MED-2105a**, dated 09/24/2024, signed and sealed by Idalmis Ortega, P.E.
2. Test report on Wind Driven Rain Resistance of the Series 17612 Stainless Steel Solar Mount per TAS 100(A)-95, prepared by QAI Laboratories, Test Report No. **MED-2105b**, dated 10/17/2024, signed and sealed by Idalmis Ortega, P.E.

C. CALCULATIONS

1. Anchor calculations prepared by Scott Wolters, dated 02/18/2025, signed and sealed by Scott Wolters, P.E.

D. MATERIAL CERTIFICATIONS

1. None.

E. QUALITY ASSURANCE

1. Miami-Dade Department of Regulatory and Economic Resources (RER).

F. STATEMENTS

1. Drawing statement of code conformance to the 8th edition (2023) of the FBC, issued by Wolters Engineering, dated 02/18/2025, signed and sealed by Scott Wolters, P.E.

Carlos M. Utrera, P.E.
Product Control Examiner
NOA No: 25-0102.04
Expiration Date: March 13, 2030
Approval Date:

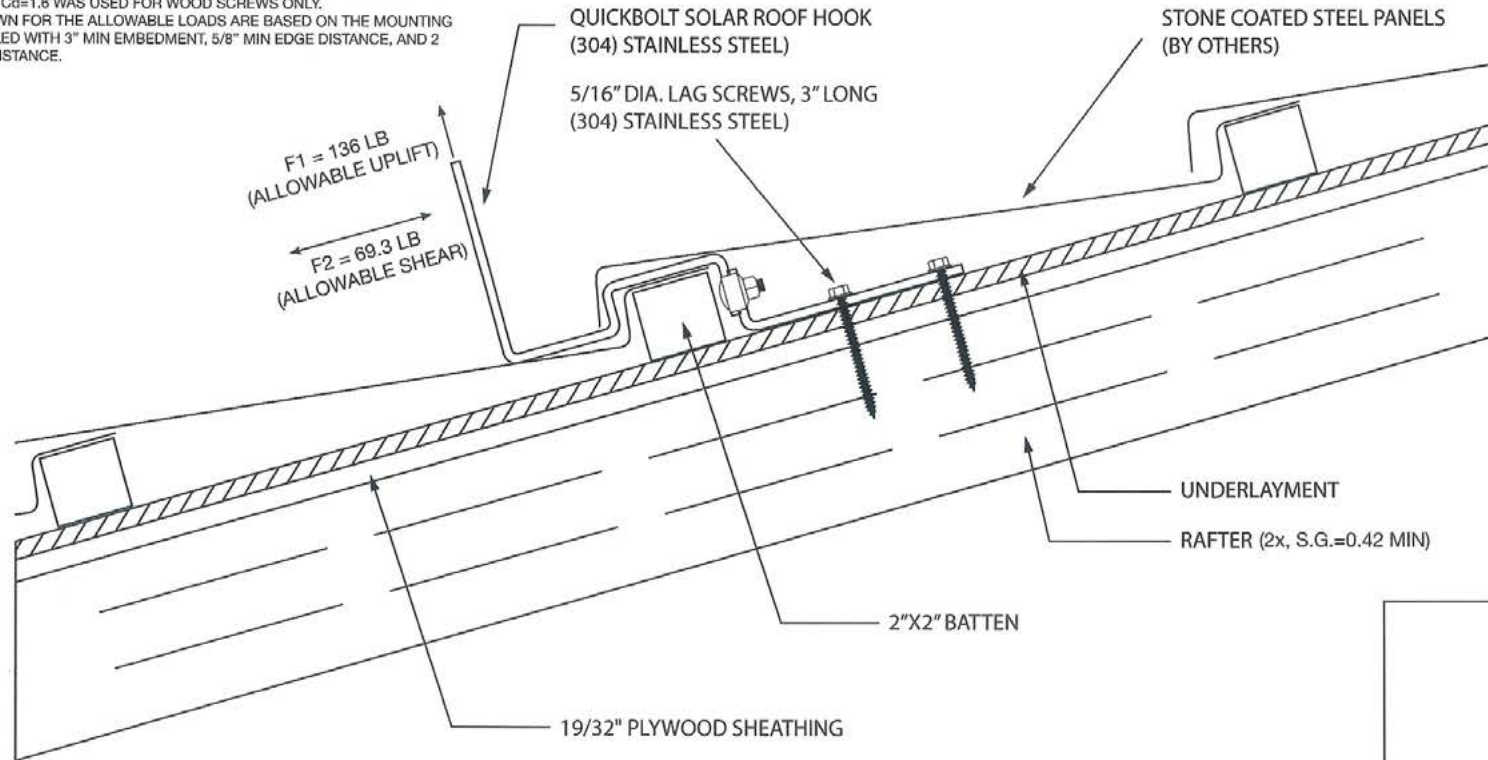
QUICKBOLT PN 17612 STONE COATED STEEL SOLAR ROOF HOOK

GENERAL NOTES:

1. THIS SYSTEM HAS BEEN DESIGNED AND TESTED TO MEET ALL OF THE REQUIREMENTS OF THE 8TH EDITION (2023) FLORIDA BUILDING CODE, INCLUDING THE HVHZ PROVISIONS.
2. THIS SYSTEM HAS BEEN TESTED PER TAS 100(A) AND ASTM D7147.
3. THE DESIGN OF THE SUBSTRATE IS THE RESPONSIBILITY OF THE ENGINEER OF RECORD OR OTHER SPECIALTY ENGINEER, AND IS NOT A PART OF THIS APPROVAL. THE SUBSTRATE MUST SAFELY TRANSMIT THE LOADS APPLIED TO THIS SYSTEM TO THE BUILDING STRUCTURE.
4. FIRE RATINGS OR FIRE RESISTANCE IS NOT A PART OF THIS REVIEW.
5. ALL ANCHORS SECURING THE SYSTEM TO PRESSURE TREATED WOOD SHALL BE CAPABLE OF RESISTING CORROSION CAUSED BY THE CHEMICALS IN THE WOOD.
6. MATERIALS INCLUDING BUT NOT LIMITED TO STEEL/METAL SCREWS THAT COME INTO CONTACT WITH OTHER DISSIMILAR MATERIALS SHALL BE PROTECTED PER FBC REQUIREMENTS.
7. NO INCREASE IN ALLOWABLE STRESS HAS BEEN USED IN THE DESIGN OF THIS PRODUCT. Cd=1.8 WAS USED FOR WOOD SCREWS ONLY.
8. VALUES SHOWN FOR THE ALLOWABLE LOADS ARE BASED ON THE MOUNTING SCREW INSTALLED WITH 3" MIN EMBEDMENT, 5/8" MIN EDGE DISTANCE, AND 2 1/2" MIN. END DISTANCE.



TOP VIEW



SIDE VIEW



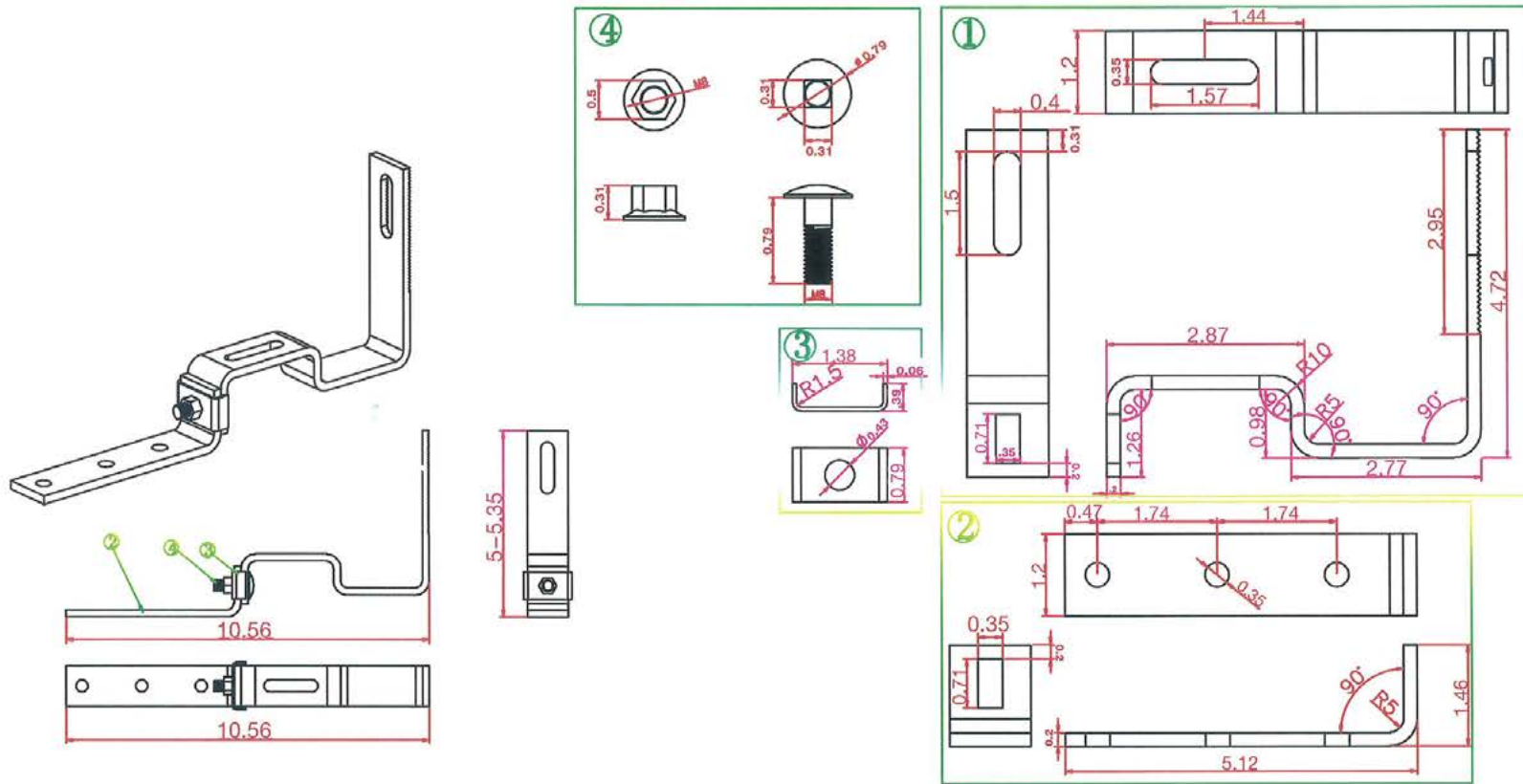
QuickBOLT
 5830 Las Positas Rd
 Livermore, CA 94551
 PH: (844) 671-6045
 QUICKBOLT.COM

SCOTT WALTERS
 FL PE# 62534
 WALTERS ENGINEERING
 (COMM# 27194)
 6311 97TH ROAD N
 WEST PALM BEACH, FL 33411
 PH/FAX: (561) 225-1882

PRODUCT:
 PN# 17612 STAINLESS
 STEEL SOLAR ROOF
 HOOK FOR STONE
 COATED STEEL PANELS

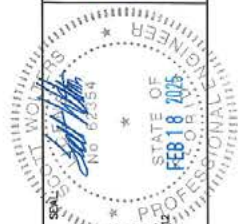
DWG:
 SHEET: 1/2

**QUICKBOLT PN 17612
STAINLESS STEEL SOLAR ROOF HOOK FOR STONE COATED STEEL PANELS**



PART# 17612 HOOK COMPONENTS:

1. QUICKBOLT SOLAR ROOF HOOK (304 SERIES STAINLESS STEEL)
2. 5/16" DIA. LAG SCREWS, 3" LONG (304) STAINLESS STEEL)



SCOTT WALTERS
FL PE# 622354
WALTERS ENGINEERING
(CO.# 27184)
15211 97TH ROAD N
WEST PALM BEACH, FL 33411
PH/FAX: (561) 225-1882

PRODUCT:
PN#17612 STAINLESS
STEEL SOLAR ROOF
HOOK FOR STONE
COATED STEEL PANELS

DWG:

SHEET:

2/2

QuickBOLT
5830 Las Positas Rd
Livermore, CA 94551
PH: (844) 671-6045
QUICKBOLT.COM