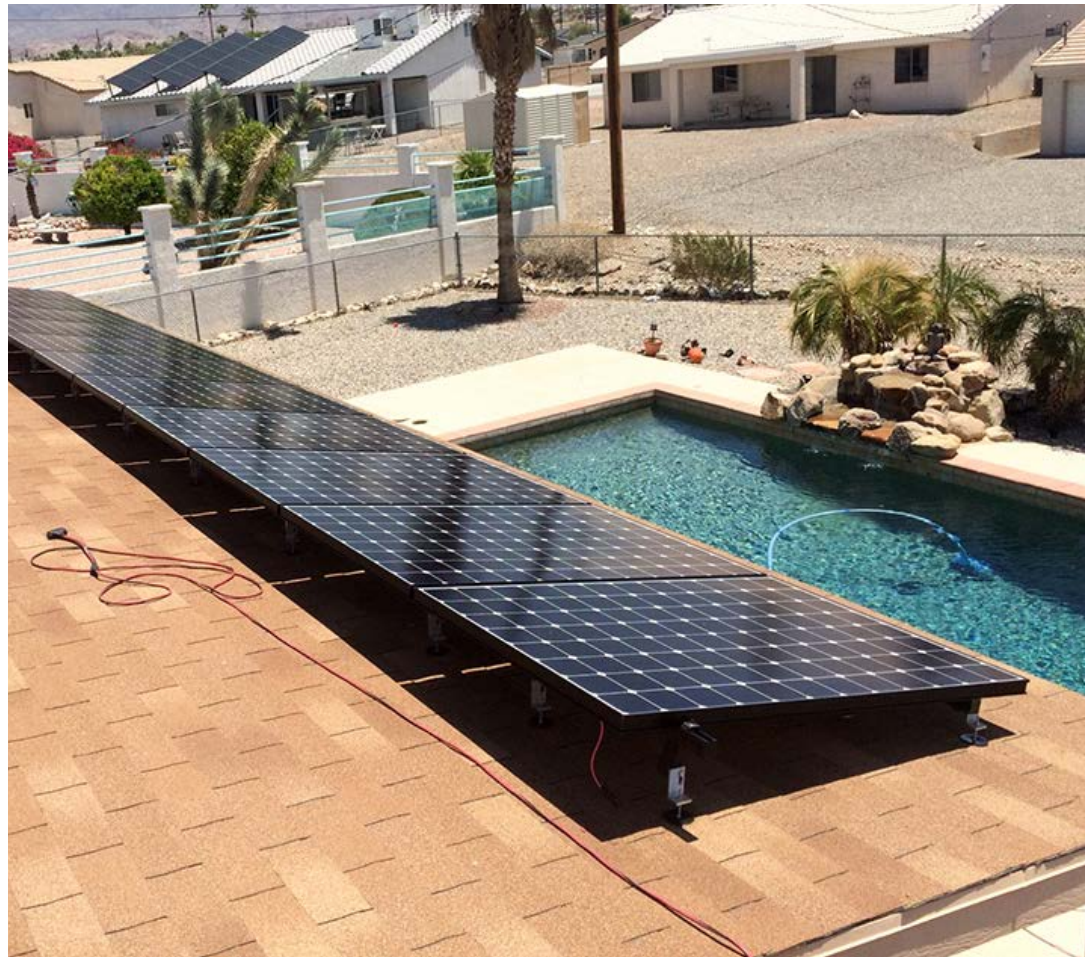


17894

BLACK SPLIT TOP LOW PROFILE L-FOOT FOR QB1 FOR ASPHALT, EPDM, & TPO ROOFS PATENT # 8448407



A DIVISION OF QUICKSCREWS INTERNATIONAL CORP

TABLE OF CONTENTS

3

SPEC SHEET

QTY & MEASUREMENT INFORMATION

5

INSTALLATION INSTRUCTIONS

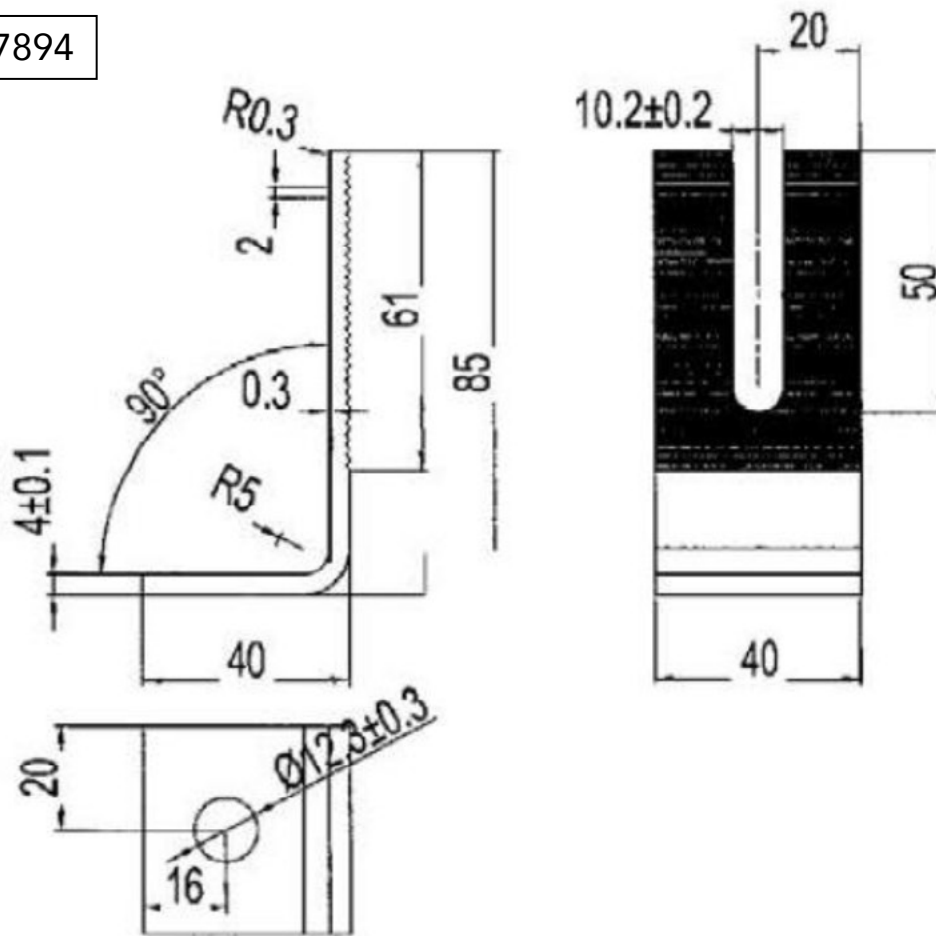
STEP-BY-STEP-INSTALLATION GUIDE

SPEC SHEET

Part #	Box Quantity
17894	Low Profile Black Split Top L-Foot (25)



Part # 17894



INSTALL INSTRUCTIONS



RECOMMENDED MATERIALS

- Rafter locator
- Chalk or a crayon
- Drill with a 3/16" drill bit
- MFG approved sealant
- M6 deep socket hex driver
- 1/2" wrench

INSTALLATION INSTRUCTIONS

1. Locate the rafter and predrill the hole
2. Fill the predrilled hole with MFG approved sealant
3. Place a ring of sealant around the bottom of the Microflashing® washer
4. Place the Microflashing® and drive the bolt until it compresses
5. Insert the L-Foot
6. Insert the nut and tighten until secure

To compress Microflashing® properly with QuickBOLT use a 125 minimum torque lbs/inch