

15890

GALVA FLASHING FOR WIDE BASED HOOKS CURVED TILE & ALL TILE



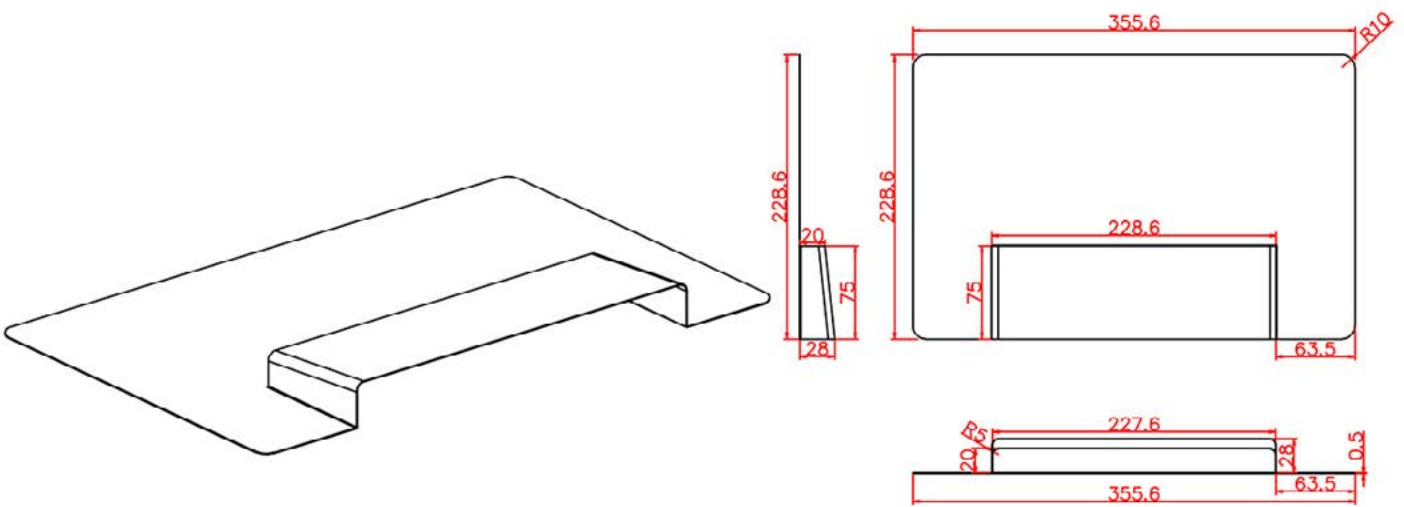
A DIVISION OF QUICKSCREWS INTERNATIONAL CORP

SPEC SHEET

Part #	Box Quantity
15890	20 Galva Flashing



15890	Customer	SolarRoofHook
Flashing must be flat		



Technical requirement : The dimensions of the hooks are in accordance with the drawings. Surface smooth, without burr.

Baiting tolerance	± 2 mm	Material:	Galvalume with Black Powder Coating	Mapper:	
Hole tolerance	± 0.2 mm				
Hole distance tolerance	± 0.5 mm	Date:	2018. 02. 02	Auditor:	
Form tolerance	± 2 mm				
Thickness tolerance	± 0.1 mm				
Angle tolerance	$\pm 1^\circ$ mm				